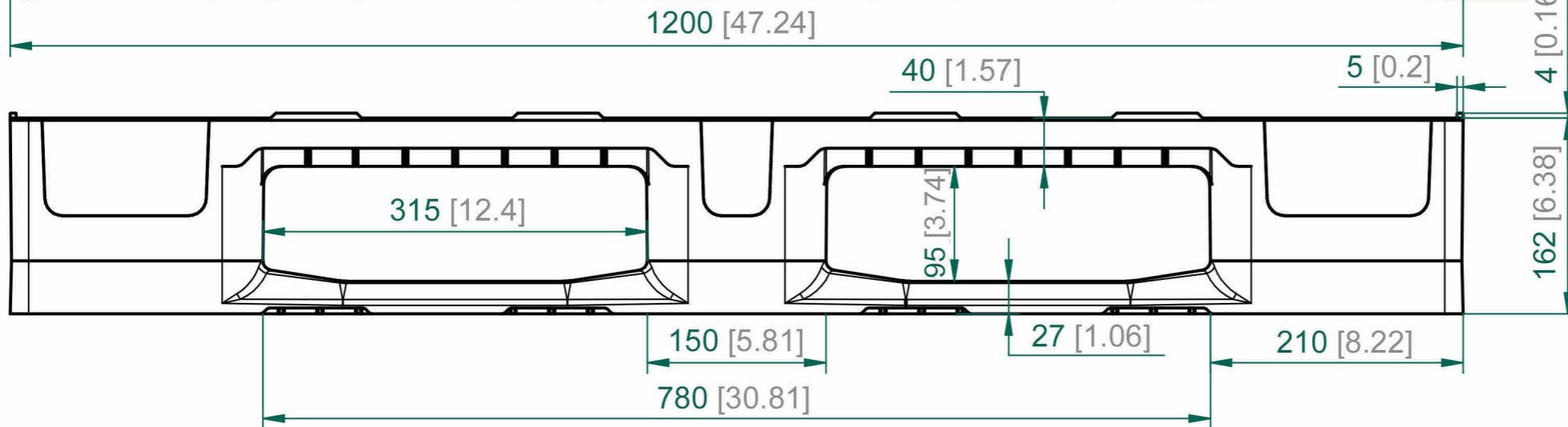
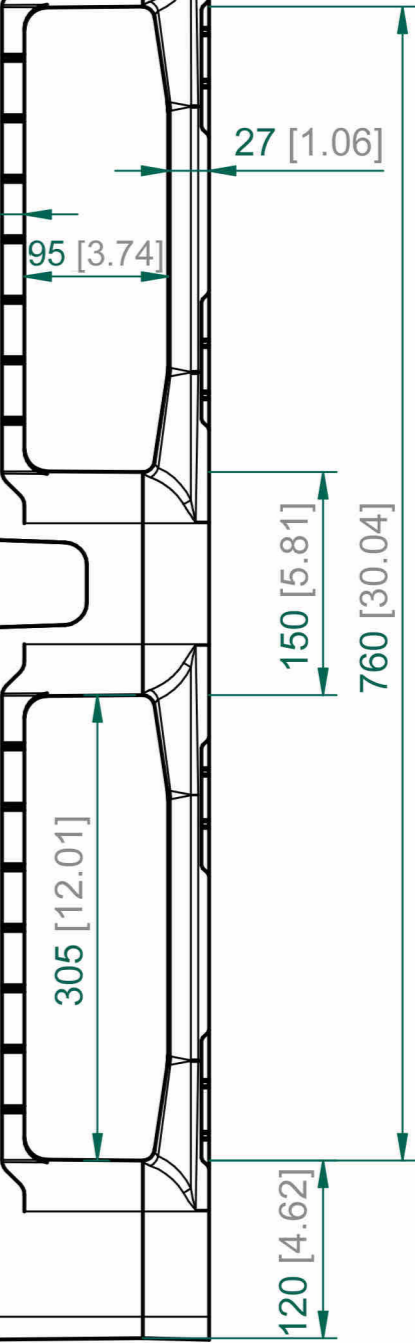


40 [1.57]



Title Expert 1210-06
 Scale 1:5 Weight 22,80 kg [50.30 lbs]
 - Dimensional tolerances: DIN ISO 2768-V
 - Weight tolerances: ± 4%
 UNITS: mm [in]